



melogranoblu

LIGHTING CATALOGUE

LEGEND



CLEAR GLASS



FROSTED GLASS



RULED CLEAR GLASS



RULED FROSTED GLASS



METALLIZED GLASS



METALLIZED RULED GLASS



INNER LIGHT



REFLECTED LIGHT



SUSPENSION LAMP



WALL LAMP



TABLE LAMP



FLOOR LAMP

INDEX

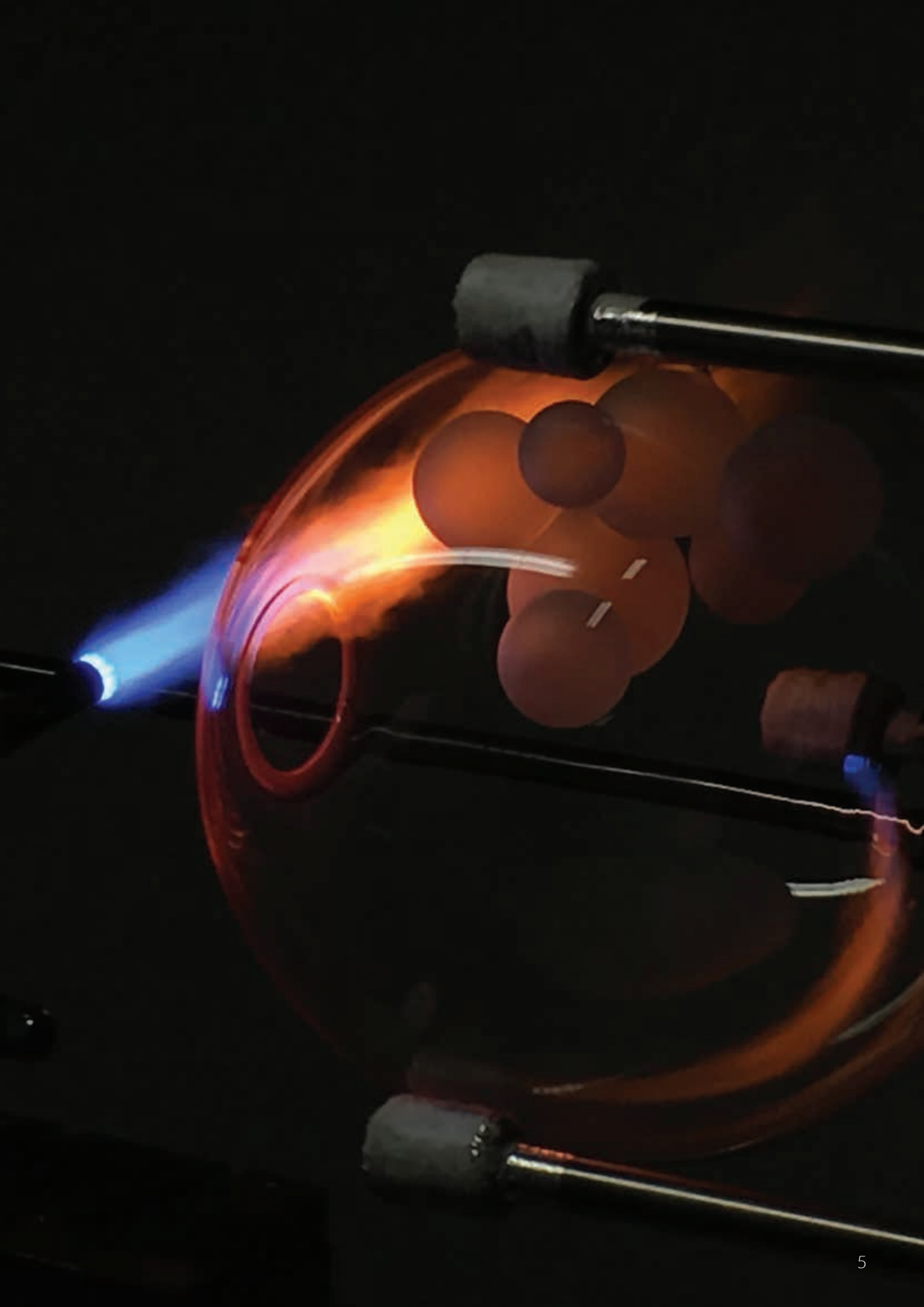
SOAP	9	API - MAAT - BES	61
SOAP SPHERE	10	API SUSPENSION	62
SOAP DOME TABLE	12	MAAT SUSPENSION	64
SOAP DOME SUSPENSION	14	BES SUSPENSION	66
		MAAT TABLE	69
		BES TABLE	70
SERENDIPITY	16	GOTHAM	73
SERENDIPITY SUSPENSION	16		
SERENDIPITY TABLE	18	DIAPASON	77
		DIAPASON A CHANDELIER	78
RAPA NUI	20	DIAPASON A WALL	80
		DIAPASON B SUSPENSION	82
OPIUM	22	DIAPASON C SUSPENSION	84
		DIAPASON C WALL	86
GHANTA	25	OPERA	89
GHANTA (BROWN)	26	TURANDOT	90
GHANTA (CLEAR)	28	CARMEN	91
		DROP	92
ARTUSI	31	POSEIDON EGG	93
ARTUSI #01, #02, #03	32	POSEIDON GLOBE	94
		ZUCCA	95
GALUCHAT	35	BAJADERE	96
GALUCHAT TABLE	36	CALAF	97
GALUCHAT SUSPENSION	38	NINIVE	98
		TIMUR	99
BARTOLOMEO	41	LIU "A"	100
BARTOLOMEO SUSPENSION	42	LIU "B"	101
BARTOLOMEO TABLE	44	LIU "C"	102
		MOON	103
AU	47	ACCESSORIES	104
AU SUSPENSION	47	TASSELS AND CABLES	105
AU TABLE	48		
PERFUME	51		
PERFUME EGG	52		
PERFUME PINECONE	54		
PERFUME SPHERE	56		
PERFUME SPEAR	58		

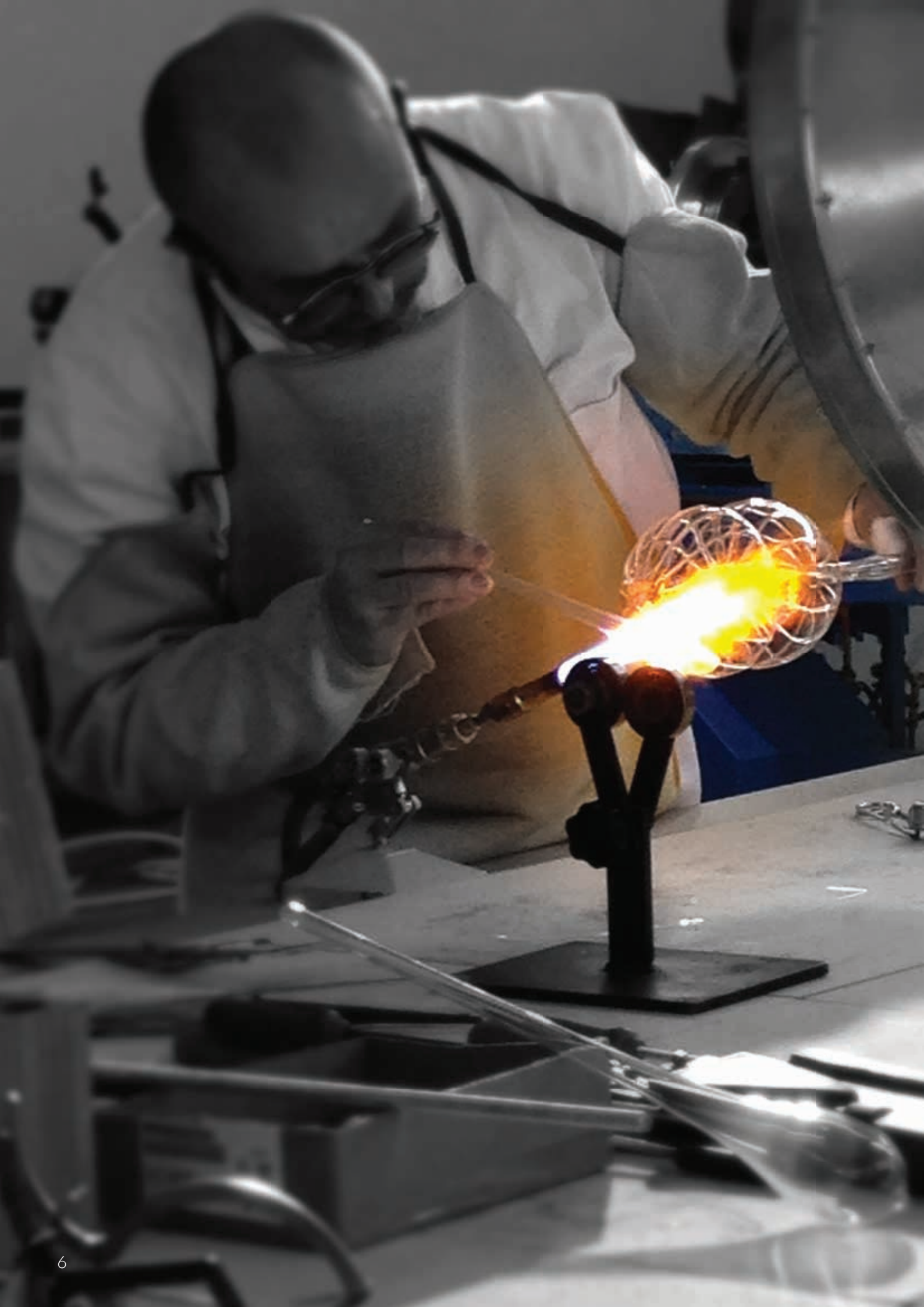
THE FACTORY OF EMOTIONS

CONCEIVED AND FOUNDED IN 1997 BY ERMANNO ROCCHI AND MASSIMO CREMA, MELOGRANOBLU IS AN ITALIAN INTERIOR LIGHTING COMPANY. OVER THE YEARS, THE COMPANY HAS DEVELOPED A WIDE RANGE OF SOLUTIONS FOR INTERIOR LIGHTING DESIGN, SUITABLE FOR HOMES OR OFFERING MORE IMPRESSIVE INSTALLATIONS FOR LARGE ARCHITECTURAL SETTINGS.

MELOGRANOBLU CREATIONS ARE VERITABLE SPECTACLES OF LIGHT, FOCUSING ON THE SENSORY AND EMOTIONAL EFFECT OF LIGHT THROUGH GLASS.

DESIGN PROJECTS IN WHICH ALL FORMS OF GLASS ARE CONCEIVED AND DESIGNED ACCORDING TO THE EFFECTS THEY CAN GENERATE THROUGH LIGHT.





CRAFTED PRODUCTION AND INDUSTRIAL ORGANISATION

ALL MELOGRANOBLU DESIGNS ARE CONCEIVED, DEVELOPED, ENGINEERED AND PRODUCED IN THE COMPANY. A STRUCTURE ORGANISED TO MANAGE AND GUARANTEE "MADE IN ITALY" QUALITY THROUGHOUT THE ENTIRE PRODUCTION PROCESS.

UNIQUE PIECES, THE SAME YET DIFFERENT SINCE THEY ARE MADE WITH PASSION BY SKILLED HANDS THAT CREATE ARTWORKS FROM GLASS.



SOAP

TRANSPARENCY IN TRANSPARENCY. SOAP COLLECTION PLAYS WITH THE REVELATORY POWER OF LIGHT. THE GLASS SCULPTURE INSIDE IS REVEALED ONLY WHEN THE LIGHT SOURCE, AS IF BY MAGIC, MAKES THE EXTERNAL MIRRORED ELEMENT TRANSPARENT, CREATING A SUBLIME AND FASCINATING GAME OF APPEARANCES. THE ENERGY RELEASED FROM THE INSIDE IS A MARRIAGE OF TECHNIQUE AND GENIUS.

SOAP SPHERE



SUSPENSION LAMP

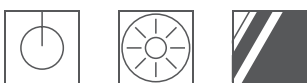
METALLIZED HAND-BLOWN GLASS SPHERE
INNER FROSTED BUBBLE SCULPTURE.

Glass dimension \varnothing 30 cm.

Light source 8 watt, 24 Vdc LED module - 2800 K (melogranoblu patent), driver included.

Metal parts in brushed brass / black nickel.

Electric cable 2,00 mt. length coated metallic mesh Titanium T08.





SOAP DOME

TABLE LAMP

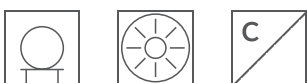
TRANSPARENT HAND-BLOWN GLASS DOME, INNER TRANSPARENT BUBBLE SCULPTURE
OR METALLIZED HAND-BLOWN GLASS DOME, INNER FROSTED BUBBLE SCULPTURE.

Glass dimension h. 30 - ø 30 cm.

Light source 8 watt, 24 Vdc LED module - 2800 K (melogranoblu patent) dimmer control.

Metal parts in brushed brass / black nickel.

Electric cable 2,50 mt. length coated metallic mesh Titanium T08.





SOAP DOME

SUSPENSION LAMP

METALLIZED HAND-BLOWN GLASS DOME,
INNER FROSTED BUBBLE SCULPTURE.

Glass dimension \varnothing 30 cm.

Light source 8 watt, 24 Vdc LED module - 2800 K (melogranoblu patent), driver included.

Metal parts in brushed brass / black nickel.

Electric cable 2,00 mt. length coated metallic mesh Titanium T08.





SERENDIPITY

ORGANIC, NATURAL AND PRIMORDIAL SHAPES CHARACTERIZE SERENDIPITY. FROSTED GLASS SINGLE UNIT, WHOSE SOFT SHAPE REFLECT THE BEAUTIFUL IMPERFECTION OF NATURE.

SUSPENSION LAMP

FROSTED HAND-BLOWN GLASS.

Glass dimension h. 55 - ø 18 cm.

Light source 4 x 2,5W LED 2800k.

Electric cable 2,00 mt. length coated metallic mesh Copper T00.





SERENDIPITY

TABLE LAMP

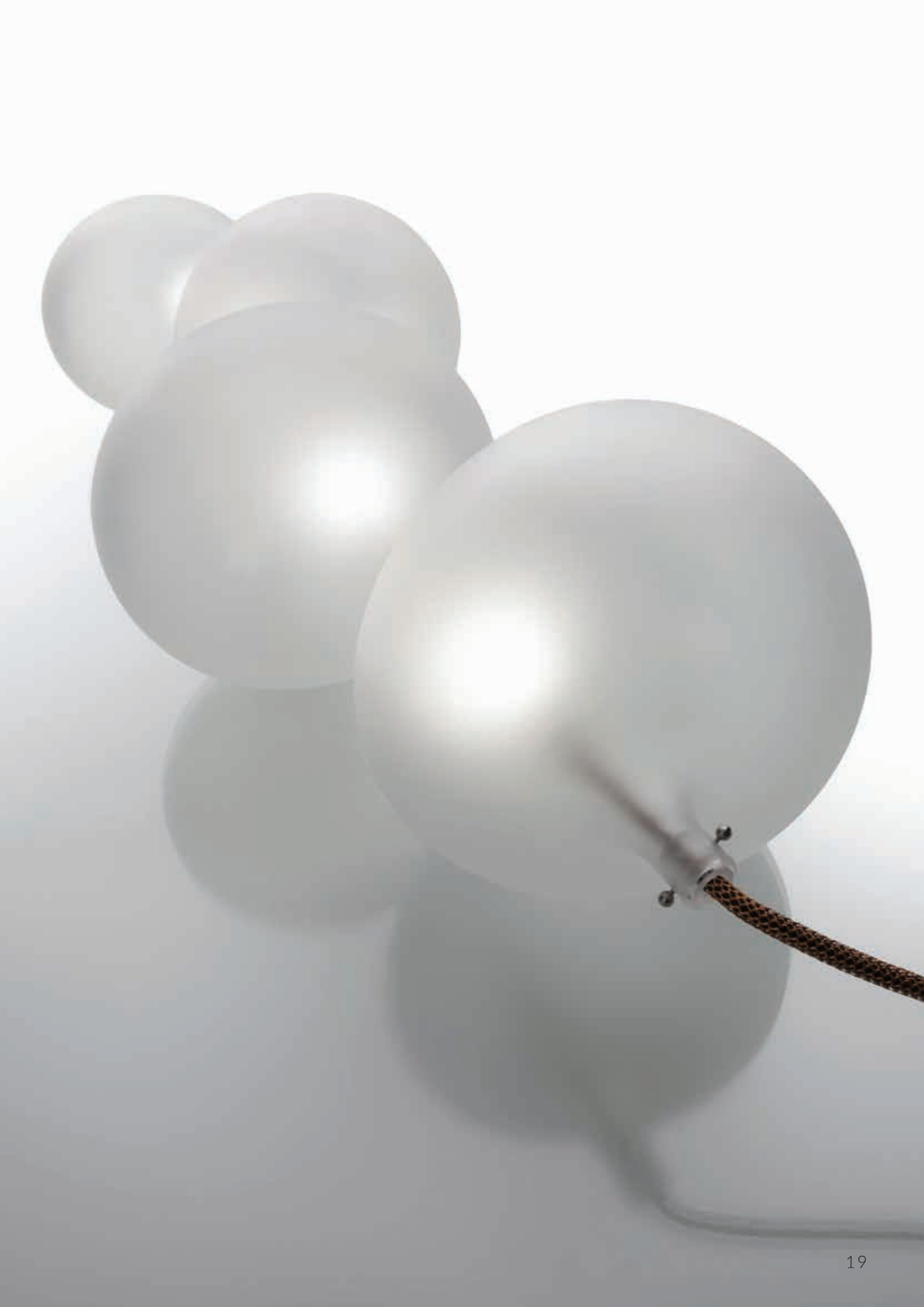
FROSTED HAND-BLOWN GLASS.

Glass dimension h. 55 - ø 18 cm.

Light source 4 x 2,5W LED 2800k dimmer control.

Electric cable 2,00 mt. length coated metallic mesh Copper T00.





RAPA NUI

THINK ABOUT PRIMORDIAL STATUES, BUT IT IS LIGHT GLASS INDEED.
A TABLE LAMP WITH GOLD AND STEEL FINISHES AND MIRRORED
EFFECTS MIXED WITH A STRONG DESIGN. A TRIUMPH OF SOLIDITY
WITH THE TOUCH OF LIGHTNESS OF HAND-BLOWN GLASS.

TABLE LAMP

METALLIZED SILVER OR GOLD HAND-BLOWN GLASS.

SMALL_Metallized gold hand-blown glass. Dimension h. 15 - ø 18 cm.
Light source 1 x 2,5W LED 2800k dimmer control.
Metallic varnished base. Electric cable 2,00 mt. length coated metallic mesh Black T21.

LARGE_Metallized silver hand-blown glass. Dimension h. 24 - ø 18 cm.
Light source 3 x 2,5W LED 2800k dimmer control.
Metallic varnished base. Electric cable 2,00 mt. length coated metallic mesh Black T21.





OPIUM

FROM NATURE, THIS IS A PORTRAIT OF REALITY. THIS SUSPENDED LAMP MADE WITH GOLD METALLIZED HAND-BLOWN GLASS, WHOSE SHAPE LOOKS LIKE A POPPY CAPSULE, IS THE PICTURE OF NATURAL BEAUTY.



SUSPENSION LAMP

GOLD METALLIZED HAND-BLOWN GLASS.

Glass dimension h. 19 - ø 20 cm.

Light source 1xG9 LED, max 6 watt.

Electric cable 2,00 mt. length coated metallic mesh Brown T20.









GHANTA

SUSPENSION LAMP IN BROWN METALLIC GLASS WITH WHITE FROSTED OR GOLD LEAF PENDANT. ITS SHAPE EVOKES THE TYPICAL TIBETAN RITUAL BELLS. IT IS ALSO AVAILABLE IN TRANSPARENT GLASS BELL WITH FROSTED PENDANT VERSION.

GHANTA

SUSPENSION LAMP

BROWN METALLIC HAND-BLOWN GLASS DOME
WITH GLASS PENDANT GOLD LEAF OR FROSTED FINISHING.

Glass dimension \varnothing 19 cm, h. 45 cm.

Light source 7 watt, LED module - 2700 K (melogranoblu patent), driver included.

Metal parts varnished Dark Grey. Electric cable 2 mt. length coated 09 Dark Grey.





GHANTA

SUSPENSION LAMP

CLEAR HAND-BLOWN GLASS DOME
WITH GLASS PENDANT GOLD LEAF OR FROSTED FINISHING.

Glass dimension \varnothing 19 cm, h. 45 cm.

Light source 7 watt, LED module - 2700 K (melogranoblu patent), driver included.

Metal parts varnished Dark Grey. Electric cable 2 mt. length coated 09 Dark Grey.









ARTUSI

A SUSPENSION LAMP WITH A DOUBLE BELL SHAPE AND A METALLIC COPPER EXTERNAL FINISH THAT RECALLS HAUTE CUISINE EQUIPMENT. INSIDE IT HIDES A SECOND BELL IN WHITE FROSTED RULED GLASS. AVAILABLE IN THREE SIZES, WITH DIFFERENT HEIGHTS AND DIAMETERS.

ARTUSI

SUSPENSION LAMP

COPPER METALLIC HAND-BLOWN GLASS DOME
INNER FROSTED GLASS SHAPE.

Glass dimension:

- 1 ø 13 cm, h. 49 cm.
- 2 ø 18 cm, h. 28 cm.
- 3 ø 25 cm, h. 19 cm.

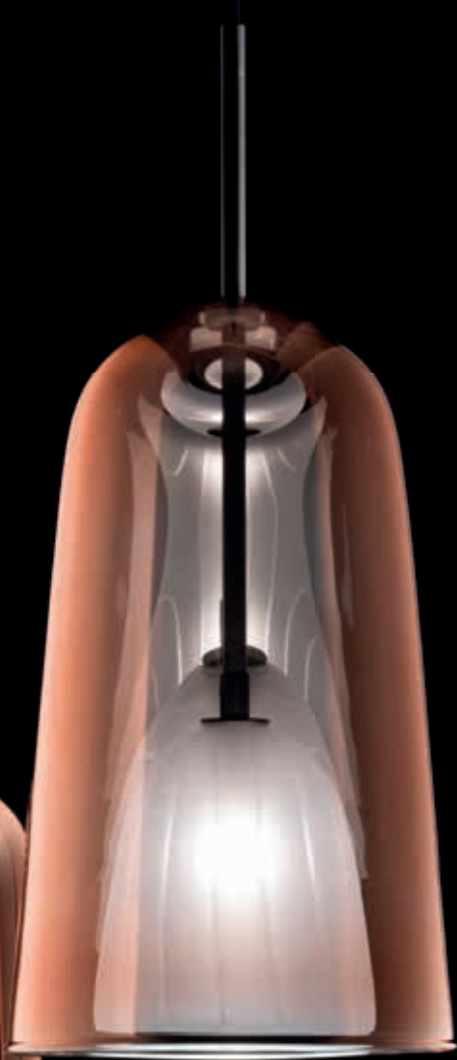
Light source 1xG9 LED, max 6 watt.

Metal parts varnished Dark Grey, Electric cable 2 mt. length coated 09 Dark Grey.





1



2



3



GALUCHAT

SUSPENSION AND TABLE LAMP IN TRANSPARENT BLOWN GLASS WITH OPAQUE ANTHRACITE METAL PAINTED FRAME. THE PRECIOUS HANDWORK MADE IT POSSIBLE TO OBTAIN AN IRREGULAR TEXTURE REMINISCENT OF THE MANUFACTURING OF SHARK TANNED LEATHER, ALSO CALLED "GALUCHAT" FROM THE NAME OF ITS FIRST USER, JEAN-CLAUDE GALUCHAT, A FRENCH CRAFTSMAN AT THE SERVICE OF KING LOUIS XV.

GALUCHAT

TABLE LAMP

CLEAR HAND-BLOWN GLASS SHAPE.

Glass dimension \varnothing 23 cm, h. 36 cm.

Light source 7 watt, LED module - 2700 K (melogranoblu patent), dimmer control.

Metal parts varnished dark grey. Electric cable 2 mt. length coated 09 Dark Grey.





GALUCHAT

SUSPENSION LAMP

CLEAR HAND-BLOWN GLASS SHAPE.

Glass dimension \varnothing 23 cm, h. 36 cm.

Light source 7 watt, LED module - 2700 K (melogranoblu patent), driver included.

Metal parts varnished Dark Grey. Electric cable 2 mt. length coated 09 Dark Grey.







BARTOLOMEO

ITS BELL-SHAPED CLEAR BLOWN GLASS WITH THREE FROSTED SPHERES IS A TRIBUTE TO BARTOLOMEO COLLEONI, AN HISTORICAL “CONDOTTIERO” FROM BERGAMO (ITALY) OF THE 1400S. AVAILABLE IN BOTH TABLE AND SUSPENSION VERSIONS.

BARTOLOMEO

SUSPENSION LAMP

CLEAR HAND-BLOWN GLASS DOME WITH FROSTED SPHERES.

Glass dimension \varnothing 18 cm, h. 33 cm.

Light source 7 watt, LED module - 2700 K (melogranoblu patent), driver included.

Metal parts varnished dark grey. Electric cable 2 mt. length coated 09 Dark Grey.





BARTOLOMEO

TABLE LAMP

CLEAR HAND-BLOWN GLASS DOME WITH FROSTED SPHERES.

Glass dimension \varnothing 18 cm, h. 33 cm.

Light source 7 watt, LED module - 2700 K (melogranoblu patent), dimmer control.

Metal parts varnished dark grey. Electric cable 2 mt. length coated 09 Dark Grey.







AU

SUSPENSION AND TABLE LAMP MADE OF GOLD METALLIC BLOWN GLASS: A SOFT, HEAVY, DUCTILE AND MALLEABLE METAL WHOSE SYMBOL IS AU, FROM THE LATIN "AURUM".

SUSPENSION LAMP

GOLD METALLIZED HAND-BLOWN GLASS DOME.

Glass dimension \varnothing 18 cm, h. 33 cm.
Light source 7 watt, LED module - 2700 K (melgranoblu patent) driver included.
Metal parts varnished Dark Grey. Electric cable 2 mt. length coated 09 Dark Grey.



AU

TABLE LAMP

GOLD METALLIZED HAND-BLOWN GLASS DOME.

Glass dimension \varnothing 18 cm, h. 33 cm.

Light source 7 watt, LED module - 2700 K (melogranoblu patent) dimmer control.

Metal parts varnished Dark Grey. Electric cable 2 mt. length coated 09 Dark Grey.





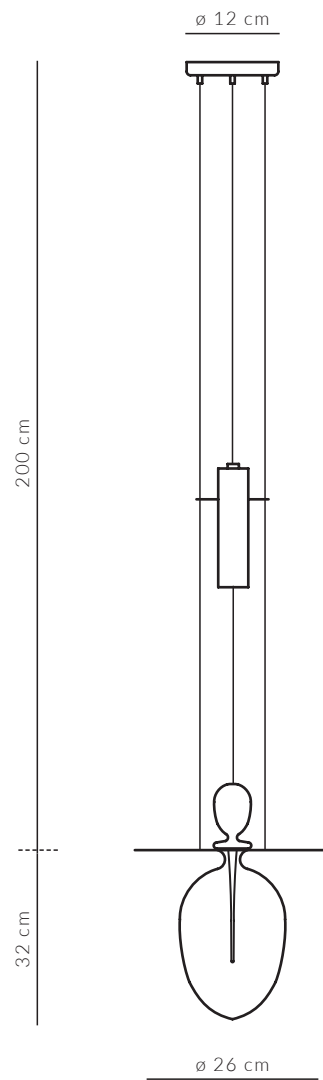


PERFUME

PENDANT LAMPS THAT TRANSCEND THEIR LIGHTING FUNCTION TO AROUSE EMOTION, GENERATED BY A SPECTACLE OF LIGHTS AND REFLECTIONS. PURE GLASS SHAPES, ESSENTIAL STYLE. POETRY OF LIGHT THAT GAINS EXPRESSION IN A SIMPLE, LINEAR DESIGN. CRAFTED PRODUCTION WHOSE IDENTITY LIES ON THE BORDER BETWEEN DESIGN AND APPLIED ART.



PERFUME EGG



SUSPENSION LAMP

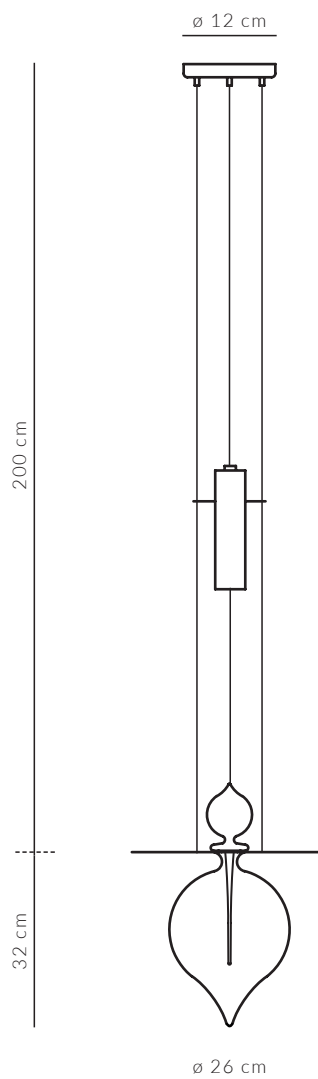
TRANSPARENT HAND-BLOWN GLASS EGG SHAPE.

Glass dimension h. 32 - ø 26 cm, light source 3W LED 2800k. Metal parts in anodised aluminium. Complete with decorative glass cap available in transparent, frosted, platinum and gold finishing.





PERFUME PINECONE



SUSPENSION LAMP

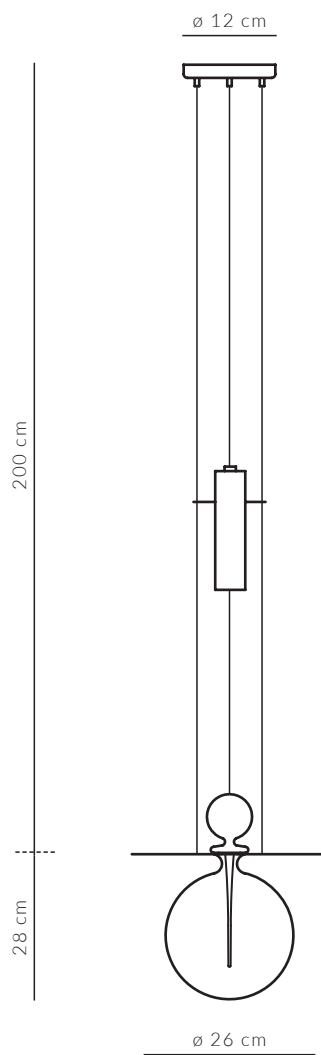
TRANSPARENT HAND-BLOWN GLASS PINECONE SHAPE.

Glass dimension h. 32 - ø 26 cm, light source 3W LED 2800k. Metal parts in anodised aluminium. Complete with decorative glass cap available in transparent, frosted, platinum and gold finishing.





PERFUME SPHERE

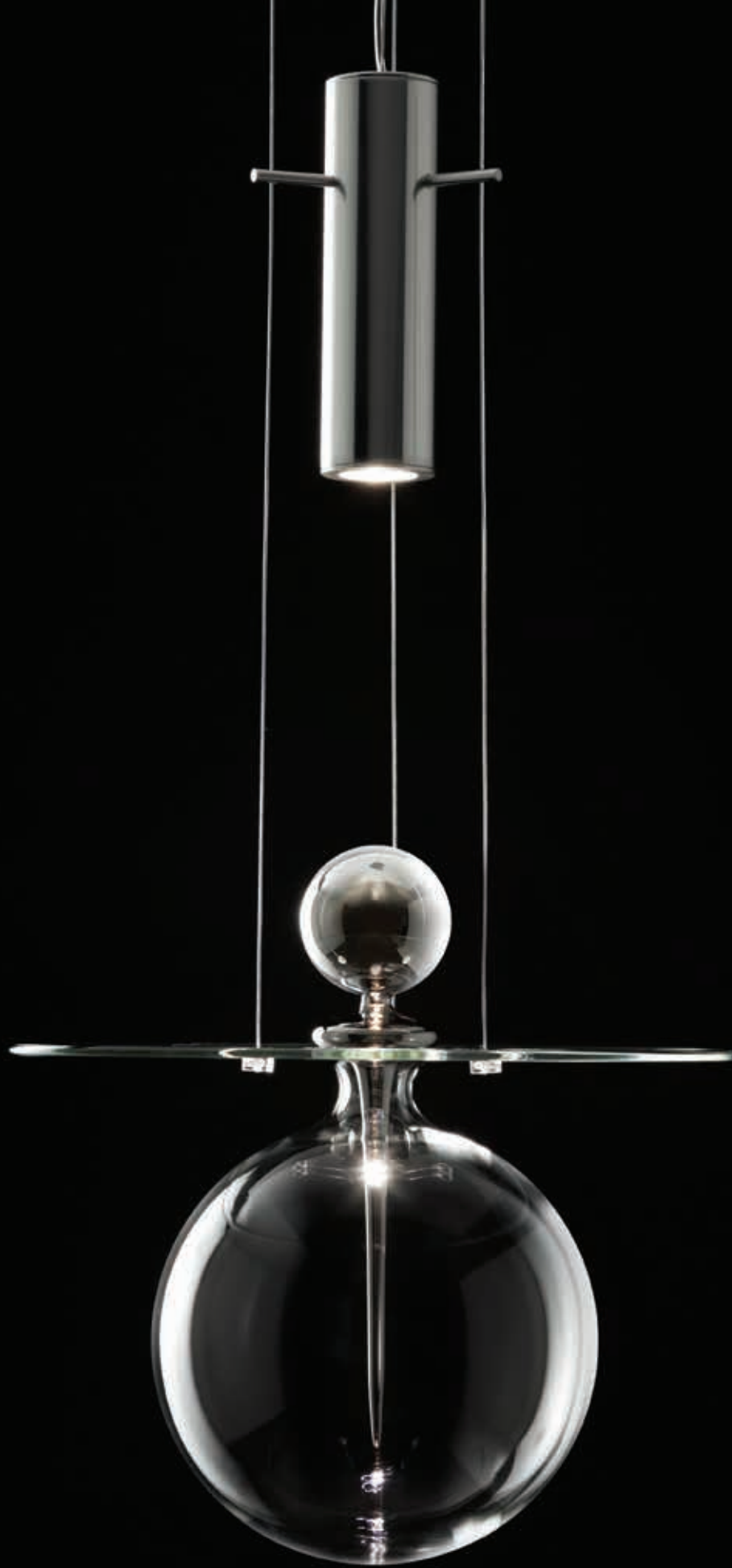


SUSPENSION LAMP

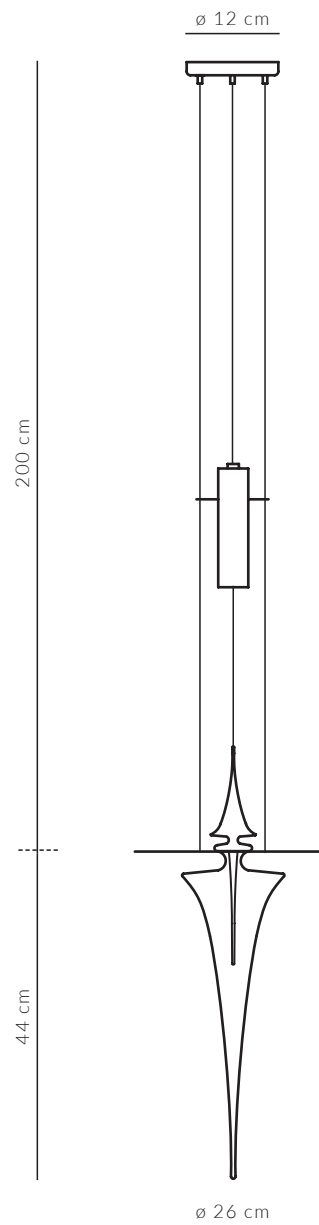
TRANSPARENT HAND-BLOWN GLASS SPHERE SHAPE.

Glass dimension h. 28 - ø 26 cm, light source 3W LED 2800k. Metal parts in anodised aluminium. Complete with decorative glass cap available in transparent, frosted, platinum and gold finishing.





PERFUME SPEAR



SUSPENSION LAMP

TRANSPARENT HAND-BLOWN GLASS SPEAR SHAPE.

Glass dimension h. 44 - \varnothing 26 cm, light source 3W LED 2800k. Metal parts in anodised aluminium. Complete with decorative glass cap available in transparent, frosted, platinum and gold finishing.







API - MAAT - BES

THE SUSPENSION LAMPS THAT BEAR THE NAME OF ANCIENT DIVINITIES ARE MADE OF BLOWN GLASS CHARACTERIZED BY THIN LINES THAT CREATE A PLEATED EFFECT. IN EMERALD, SAPPHIRE, AMETHYST OR WHITE FROSTED COLORS, THEY ARE ALSO AVAILABLE IN TABLE VERSION.

API



Version with E27 socket

SUSPENSION LAMP

SAPPHIRE BLUE OR FROSTED
HAND-BLOWN RULED GLASS SHAPE.

Glass dimension \varnothing 14,5 cm, h . 49 cm.

Light source available:

- max 12 watt , 220 V LED (E27 socket).
- 7 watt , 24 Vdc LED module - 2700 K (melogranoblu patent)

Metal parts varnished Dark Grey. Electric cable 2 mt. length coated 09 Dark Grey.





Version with LED module

MAAT



Version with E27 socket

SUSPENSION LAMP

EMERALD GREEN OR FROSTED
HAND-BLOWN GLASS SHAPE.

Glass dimension \varnothing 23 cm, h. 36 cm.

Light sources available:

- max 12 watt , 220 V LED (E27 socket).
- 7 watt , LED module - 2700 K (melogranoblu patent).

Metal parts varnished dark grey. Electric cable 2 mt. length coated 09 Dark Grey.





Version with LED module



Version with E27 socket



Version with LED module

BES

SUSPENSION LAMP

PURPLE AMETHYST OR FROSTED
HAND-BLOWN RULED GLASS SHAPE.

Glass dimension \varnothing 27 cm, h. 23 cm.

Light sources available:

- max 12 watt, 220 V LED (E27 socket)
- 7 watt, LED module - 2700 K (melogranoblu patent).

Metal parts varnished dark grey. Electric cable 2 mt. length coated 09 Dark Grey.





MAAT

TABLE LAMP

EMERALD GREEN OR FROSTED
HAND-BLOWN GLASS SHAPE.

Glass dimension \varnothing 23 cm, h. 36 cm.

Light source 7 watt, LED module - 2700 K (melogranoblu patent), dimmer control.

Metal parts varnished dark grey. Electric cable 2 mt. length coated 09 Dark Grey.



BES

TABLE LAMP

PURPLE AMETHYST OR FROSTED
HAND-BLOWN RULED GLASS SHAPE.

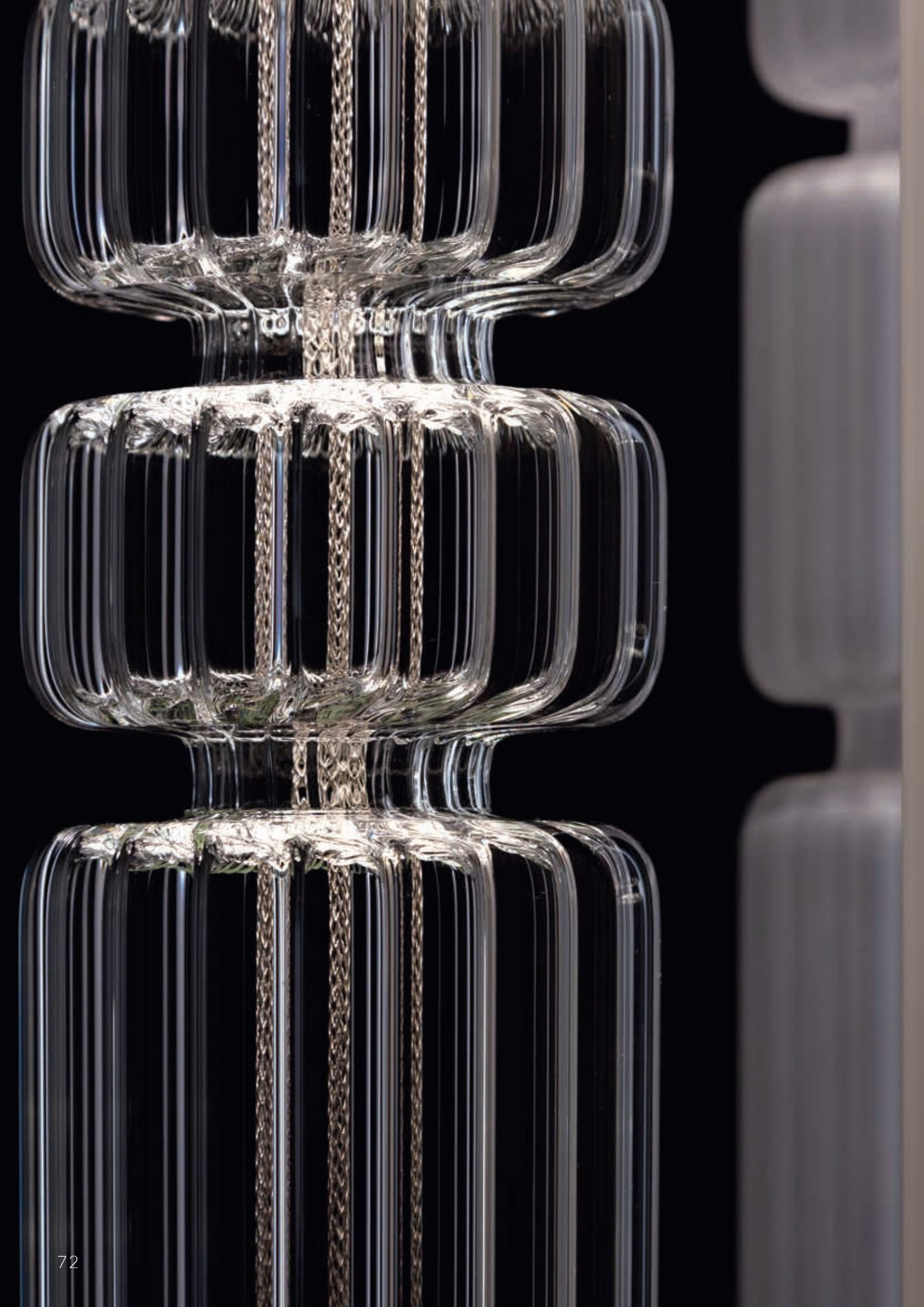
Glass dimension \varnothing 27 cm, h. 23 cm.

Light source 7 watt, LED module - 2700 K (melogranoblu patent), dimmer control.

Metal parts varnished dark grey. Electric cable 2 mt. length coated 09 Dark Grey.





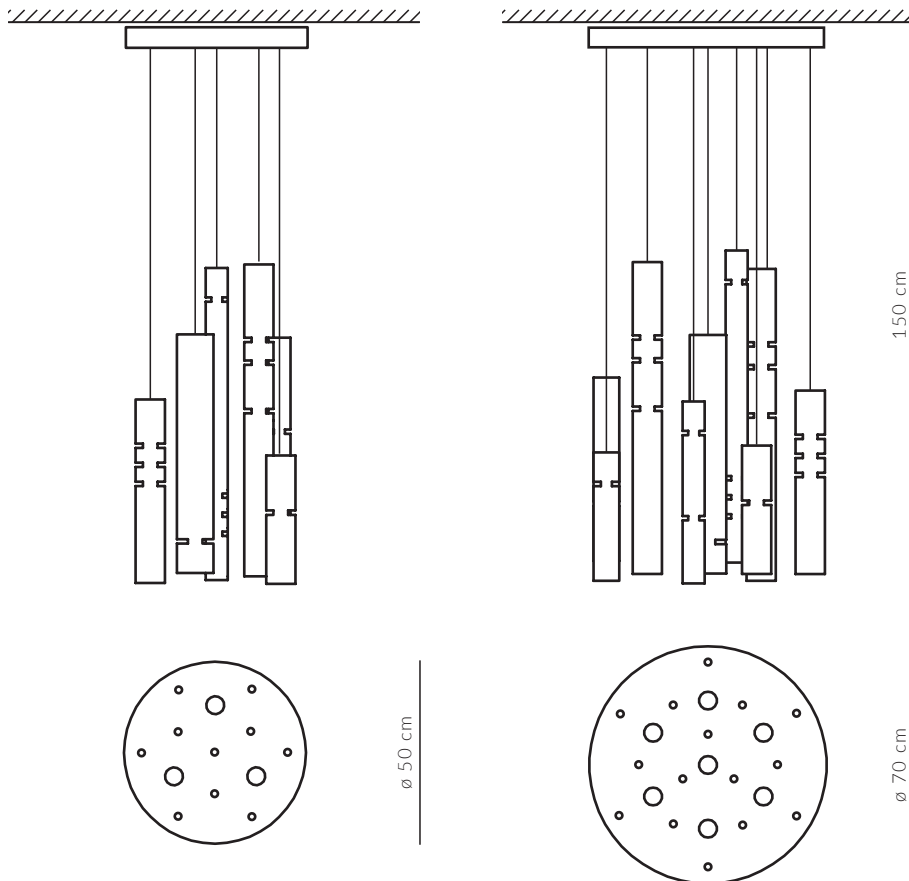




GOTHAM

LIGHTING STRUCTURES, HIGH IMPACT GLASS PENDANT LAMPS, WHOSE DISTINCTIVE CHARACTER PUTS THEM BEYOND ALL DEFINITIONS. METROPOLITAN STYLE, THE DREAM OF A NOCTURNAL MEGALOPOLIS, WHICH ONLY THE MOST VISIONARY IMAGINATION CAN ENVISAGE. AN IMPRESSIVE DESIGN, SOLID AND REASSURING, ENCHANTS THE GAZE AND THE SENSES.

GOTHAM



CHANDELIER

SMALL_Round metal ceiling \varnothing 50 cm mirror finishing.
Light source 3 x 10W power LED dimmable, 2700k optic 10°.
10 clear and frosted mixed glass shapes.

LARGE_Round metal ceiling \varnothing 70 cm mirror finishing.
Light source 7 x 10W power LED dimmable, 2700k optic 10°.
15 clear and frosted mixed glass shapes.



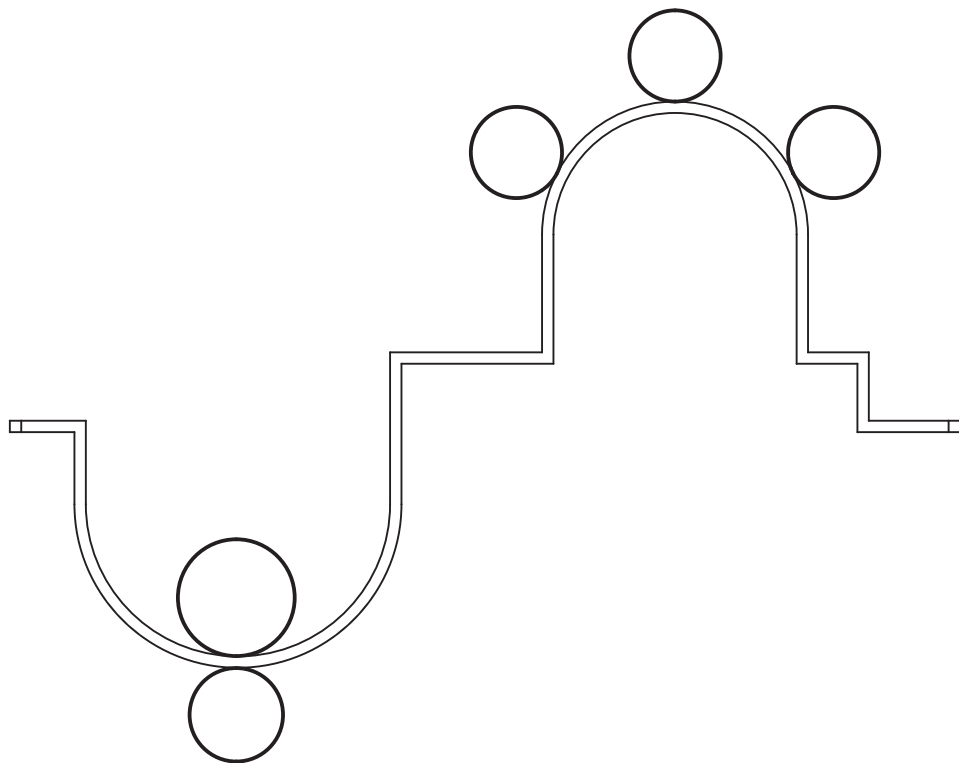




DIAPASON

VINTAGE SHAPES IN A CONTEMPORARY TRANSPOSITION:
A COLLECTION OF SUSPENSION, AND WALL LAMPS
INSPIRED BY THE CURVED AND THIN LINES OF THE
TUNING FORK. A COMBINATION OF TWO NOBLE
MATERIALS: BRUSHED NATURAL BRASS AND FROSTED
GLASS. THE CURVES OF THE GLASS AND THE DESIGN OF
THE STRUCTURE CREATE SUBTLE BALANCE GAMES. THE
DIAPASON COLLECTION IS DESIGNED BY THE DESIGNER
GIORGIO SORESSI FOR MELOGRANOBLU.

DIAPASON A



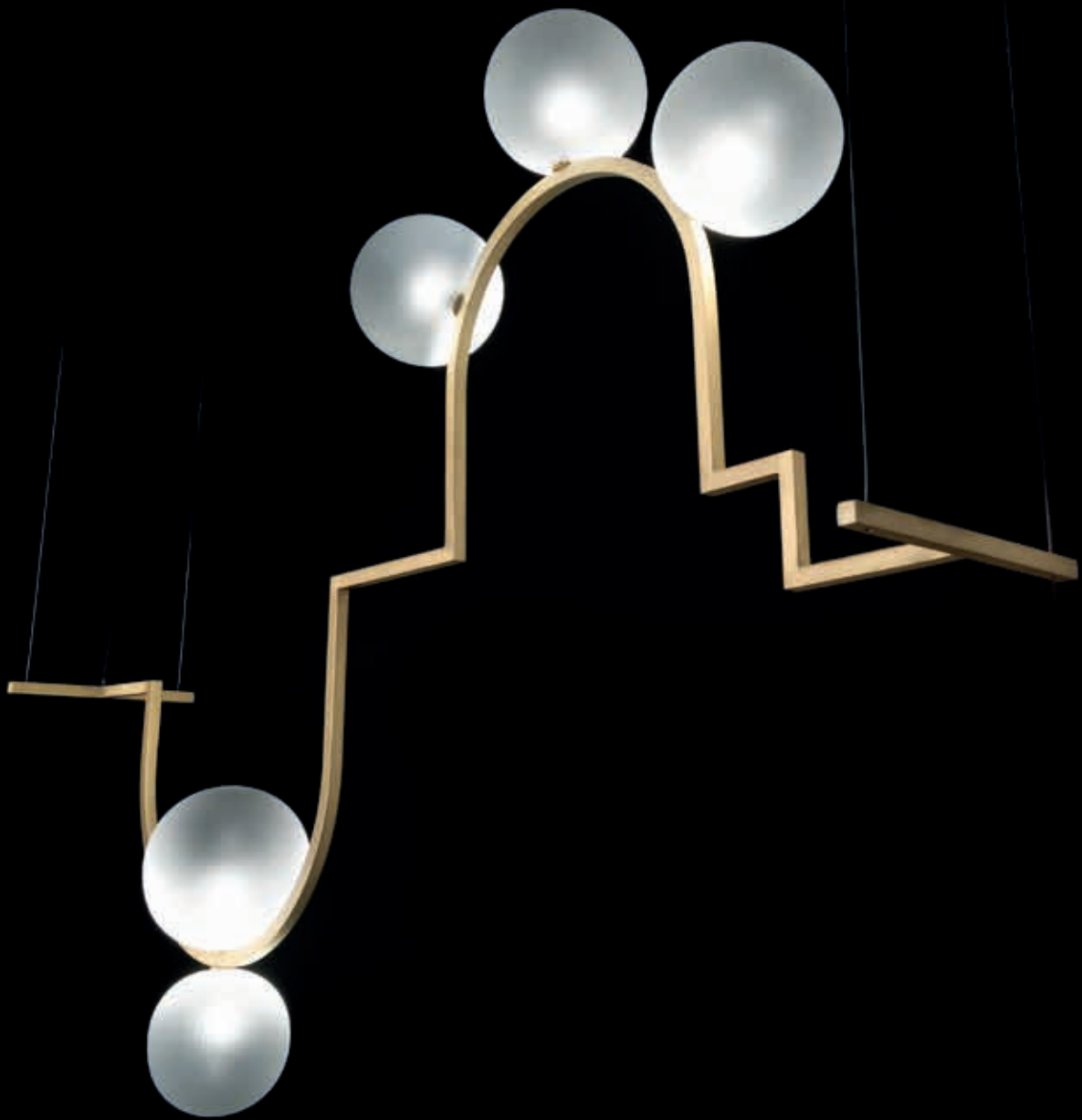
CHANDELIER

BRUSHED BRASS STRUCTURE WITH FROSTED RULED GLASSES.

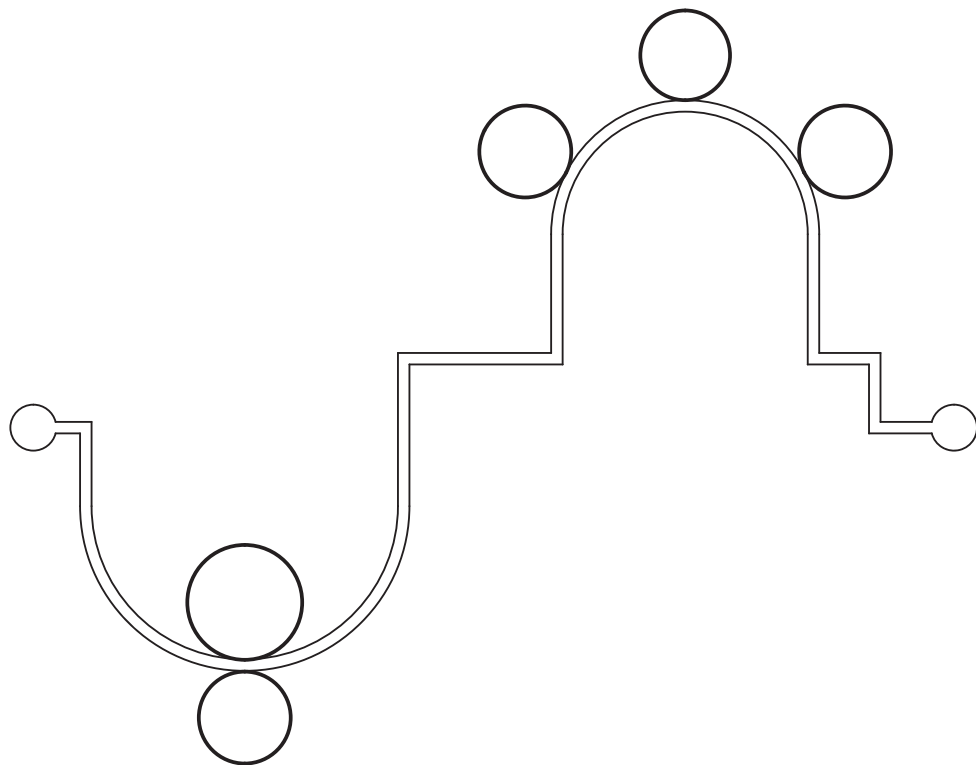
Dimension lenght 135 cm, h. 107 cm.

Light source 5 x G9, 220 V, max 6 watt LED. Electric cable 2 mt length black.





DIAPASON A



WALL LAMP

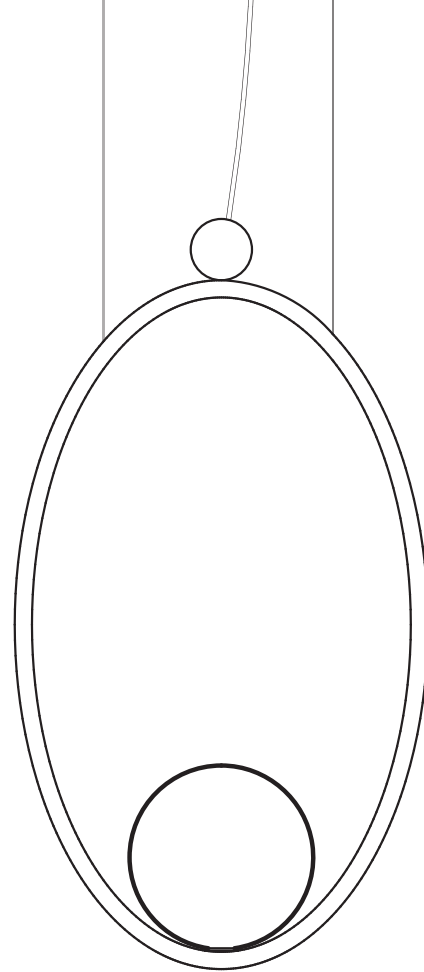
BRUSHED BRASS STRUCTURE WITH FROSTED RULED GLASSES.

Dimension lenght 135 cm, h. 107 cm jut 28 cm.
Light source 5 x G9, 220 V, max 6 watt LED.





DIAPASON B



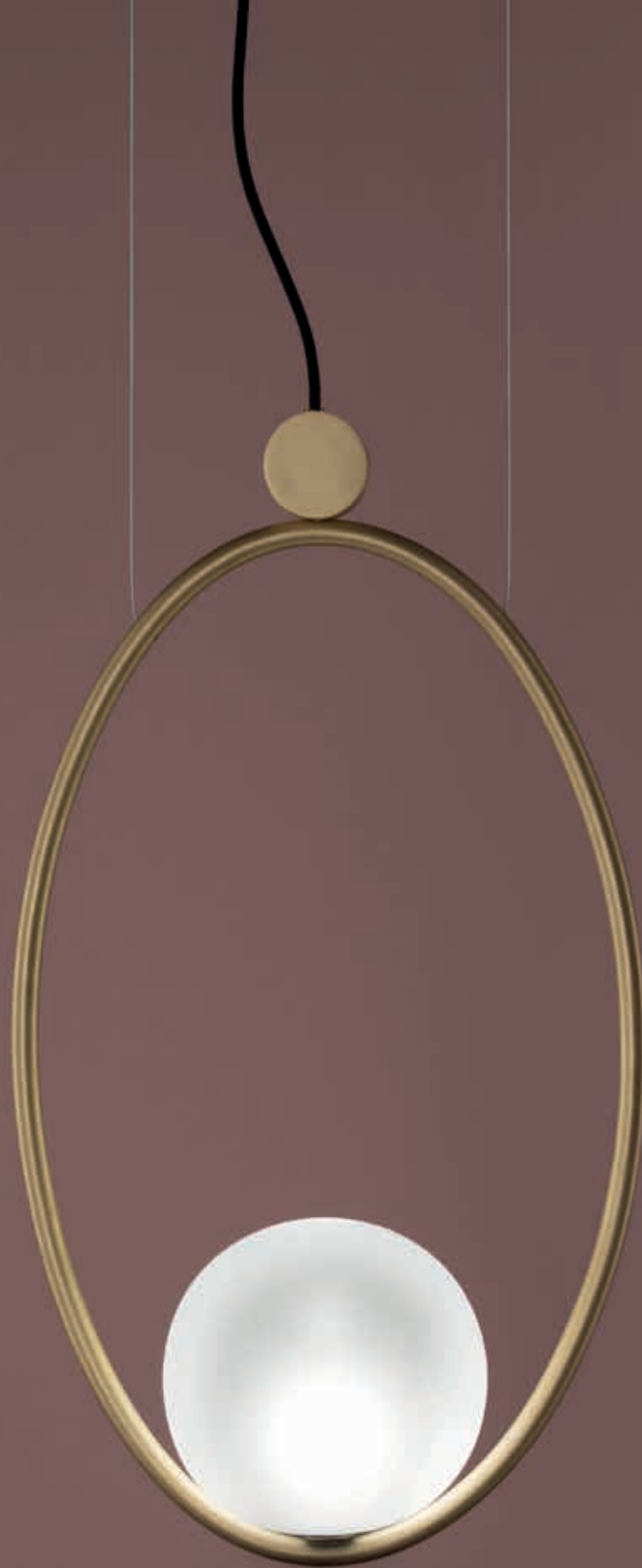
SUSPENSION LAMP

BRUSHED BRASS STRUCTURE WITH FROSTED RULED GLASS.

Dimension width 42 cm, h. 72 cm.

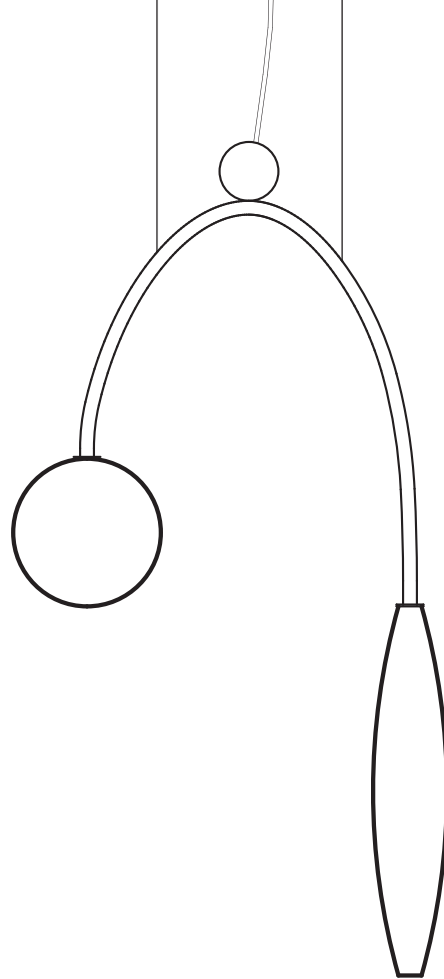
Light source 1 x G9, 220 V, max 6 watt LED. Electric cable 2 mt length black.





Also available in
wall version.

DIAPASON C



SUSPENSION LAMP

BRUSHED BRASS STRUCTURE WITH FROSTED RULED GLASSES.

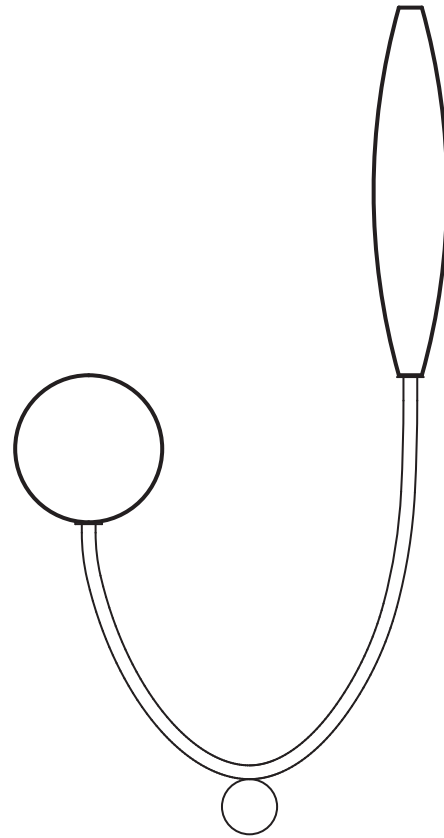
Dimension width 60 cm, h. 112 cm.

Light source 2 x G9, 220 V, max 6 watt LED. Electric cable 2 mt length black.





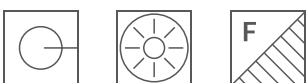
DIAPASON C



WALL LAMP

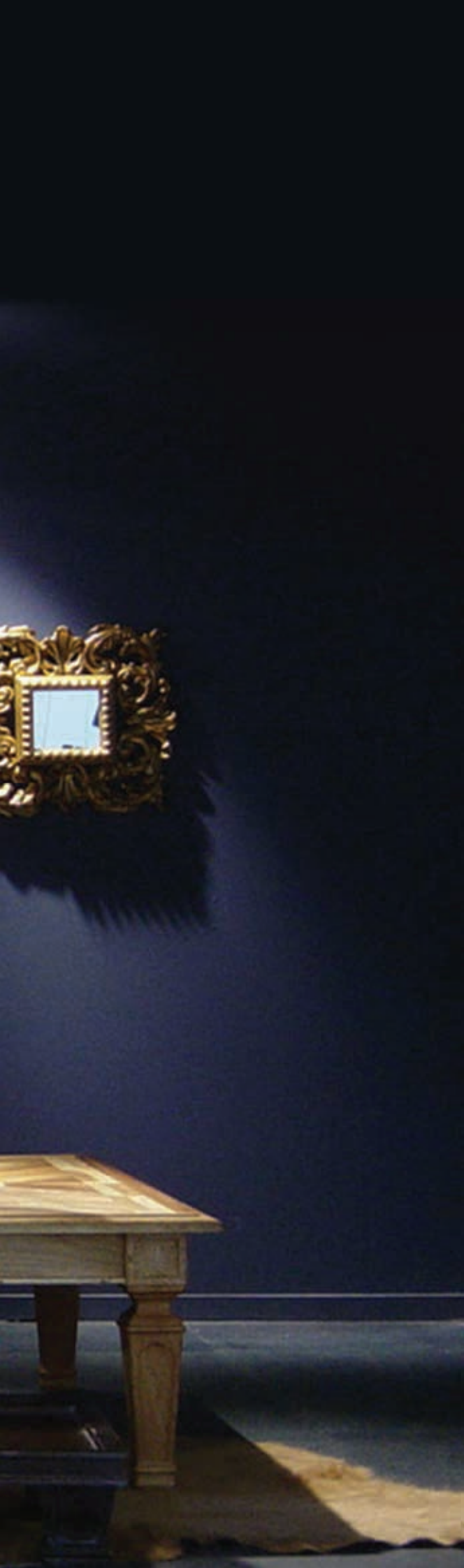
BRUSHED BRASS STRUCTURE WITH FROSTED RULED GLASSES.

Dimension width 60 cm, h. 112 cm.
Light source 2 x G9, 220 V, max 6 watt LED.









OPERA

COLLECTION OF DECORATIVE PENDANT LAMPS, OBJECTS RICH IN EVOCATIVE ELEMENTS AND LOADED WITH MEMORIES. ICONIC DESIGNS, CAPABLE OF CREATING "FIN DE SIÈCLE" HINTS AND ATMOSPHERES. UNUSUAL YET FAMILIAR FORMS, REASSURING YET CAPABLE OF ASTONISHING. A CONTEMPORARY CLASSIC, ECLECTIC IN STYLE AND AT THE SAME TIME DISCREET ENOUGH TO SUIT ALL SETTINGS.

OPERA

TURANDOT



HANGING-LAMP, RULED HAND-BLOWN GLASS TRANSPARENT OR FROSTED WITH 40 CM. LENGTH TASSEL INCLUDED, ALSO AVAILABLE IN WALL VERSION.

Cable 2,00 mt. length transparent or coated fabric as per color chart.
Light source E14. Glass dimension: Large h. 72 - ø 16 cm. | Small h. 50 - ø 14 cm.



OPERA

CARMEN



HANGING-LAMP, RULED HAND-BLOWN GLASS TRANSPARENT OR FROSTED WITH 40 CM. LENGHT TASSEL INCLUDED, ALSO AVAILABLE IN WALL VERSION.

Cable 2,00 mt. lenght transparent or coated fabric as per color chart.

Light source E14. Glass dimension: Large h. 56 - ø 16 cm. | Small h. 43 - ø 12 cm.



OPERA

DROP



HANGING-LAMP, HAND-BLOWN GLASS FROSTED.

Cable 2,00 mt. lenght transparent or coated fabric as per color chart.

Light source E14. Glass dimension: h. 65 - ø 13 cm.



OPERA

POSEIDON EGG



HANGING-LAMP, RULED HAND-BLOWN GLASS TRANSPARENT OR FROSTED WITH 40 CM. LENGTH TASSEL INCLUDED, ALSO AVAILABLE IN WALL VERSION.

Cable 2,00 mt. length transparent or coated fabric as per color chart.

Light source E14. Glass dimension: h. 35 - ø 23 cm.



OPERA

POSEIDON GLOBE



HANGING-LAMP, RULED HAND-BLOWN GLASS TRANSPARENT OR FROSTED WITH 40 CM. LENGTH TASSEL INCLUDED, ALSO AVAILABLE IN WALL VERSION.

Cable 2,00 mt. length transparent or coated fabric as per color chart.

Light source E14. Glass dimension: Large ø 23 cm. | Small ø 17 cm.

Also available with glass coral branch not included color Black _ Ivory _ Red.



OPERA

ZUCCA



HANGING-LAMP, RULED HAND-BLOWN GLASS TRANSPARENT OR FROSTED.

Cable 2,00 mt. length transparent or coated fabric as per color chart.
Light source E14. Glass dimension: h. 60 - ø 20 cm.



OPERA

BAJADERE



HANGING-LAMP, RULED HAND-BLOWN GLASS.

Cable 2,00 mt. lenght transparent or coated fabric as per color chart.

Light source E14. Glass dimension: Small h. 50 - ø 11 cm. | Medium h. 60 ø 13 cm. | Large h. 70 - ø 16 cm.



OPERA

CALAF



HANGING-LAMP, RULED HAND-BLOWN GLASS TRANSPARENT OR FROSTED WITH 40 CM. LENGTH TASSEL INCLUDED, ALSO AVAILABLE IN WALL VERSION.

Cable 2,00 mt. length transparent or coated fabric as per color chart.

Light source E14. Glass dimension: Large h. 67 - ø 18 cm. | Small h. 46 - ø 14 cm.



OPERA

NINIVE



HANGING-LAMP, RULED HAND-BLOWN GLASS TRANSPARENT OR FROSTED WITH 40 CM. LENGTH TASSEL INCLUDED, ALSO AVAILABLE IN WALL VERSION.

Cable 2,00 mt. length transparent or coated fabric as per color chart.

Light source E14. Glass dimension: Large h. 72 - ø 13 cm. | Small h. 43 - ø 11 cm.



OPERA

TIMUR



HANGING-LAMP, RULED HAND-BLOWN GLASS TRANSPARENT OR FROSTED WITH 40 CM. LENGTH TASSEL INCLUDED, ALSO AVAILABLE IN WALL VERSION.

Cable 2,00 mt. length transparent or coated fabric as per color chart.

Light source E14. Glass dimension: Large_h. 53 - ø 20 cm. | Small_h. 41 - ø 15 cm.



OPERA

LIU "A"



HANGING-LAMP, HAND-BLOWN GLASS TRANSPARENT OR FROSTED WITH 40 CM. LENGTH TASSEL INCLUDED, ALSO AVAILABLE IN WALL VERSION.

Cable 2,00 mt. length transparent or coated fabric as per color chart.

Light source E14. Glass dimension: h. 60 - ø 18 cm.



OPERA

LIU "B"



HANGING-LAMP, HAND-BLOWN GLASS TRANSPARENT OR FROSTED WITH 40 CM. LENGTH TASSEL INCLUDED, ALSO AVAILABLE IN WALL VERSION.

Cable 2,00 mt. length transparent or coated fabric as per color chart.

Light source E14. Glass dimension: h. 60 - ø 28 cm.



OPERA

LIU "C"



HANGING-LAMP, HAND-BLOWN GLASS TRANSPARENT OR FROSTED WITH 40 CM. LENGTH TASSEL INCLUDED, ALSO AVAILABLE IN WALL VERSION.
Cable 2,00 mt. length transparent or coated fabric as per color chart.
Light source E14. Glass dimension: h. 60 - ø 18 cm.



OPERA

MOON



HANGING-LAMP, HAND-BLOWN GLASS FROSTED
ALSO AVAILABLE IN WALL VERSION.

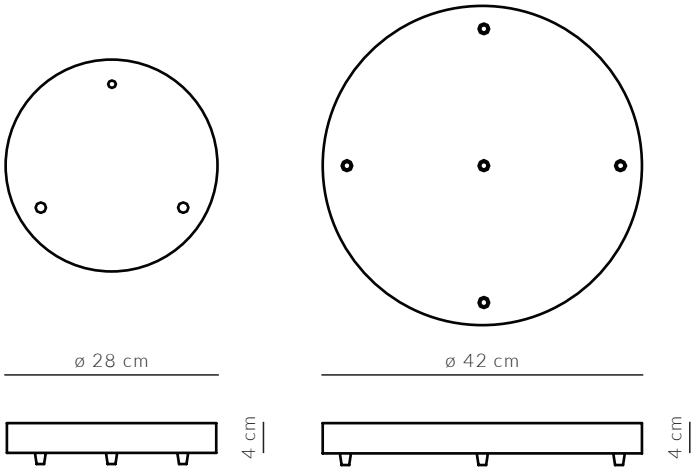
Cable 2,00 mt. lenght transparent or coated fabric as per color chart.
Light source E14. Glass dimension: h. 30 x 5 cm.



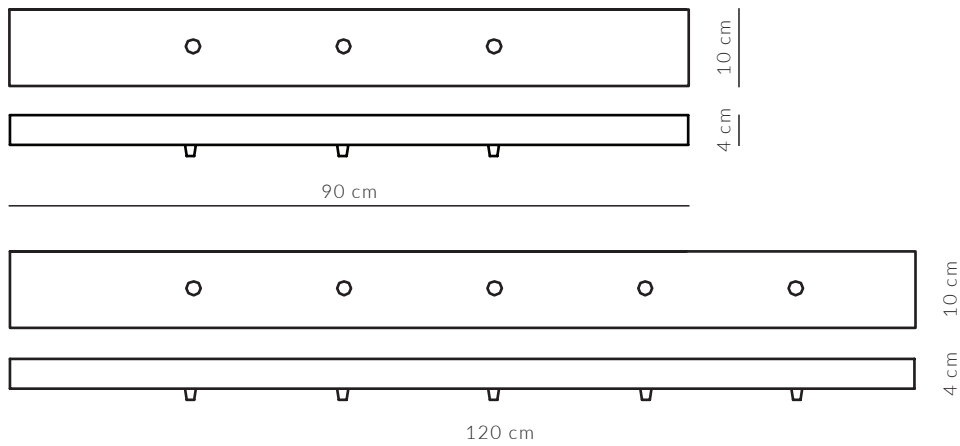
OPERA

ACCESSORIES

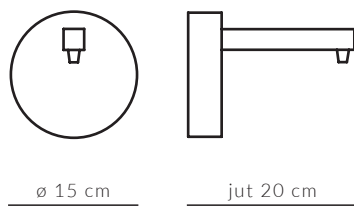
ROUND WOODEN CEILING LIGHTS MOUNT



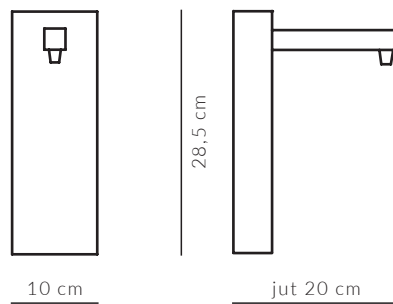
RECTANGULAR WOODEN CEILING LIGHTS MOUNT



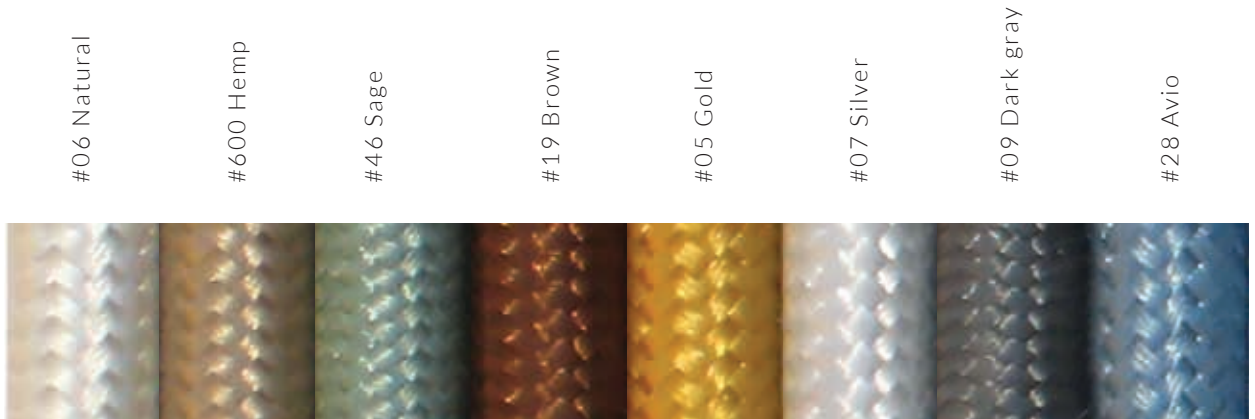
ROUND WOODEN BRACKET



RECTANGULAR WOODEN BRACKET



TASSELS AND CABLES



Colors in this catalogue may lightly vary because of printing.
melgranoblu reserve the right to modify products and colors, without notice,
in order to make technical improvements.

CREDITS

COPYRIGHT

© 2019 by melogranoblu srl



PHOTO

SILVIO SALVADOR

CATALOGUE DESIGN

BABOL COMMUNICATION

www.babolcommunication.com

melogranoblu

Via Boschetti, 87

24050 Grassobbio

Bergamo _ Italy

Ph +39 035 4522451

sales@melogranoblu.com

www.melogranoblu.com

